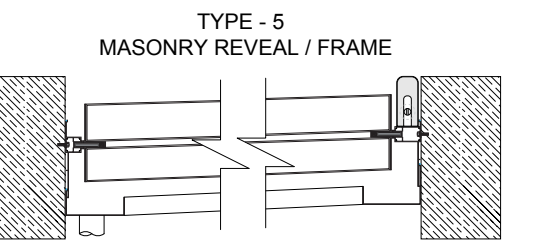
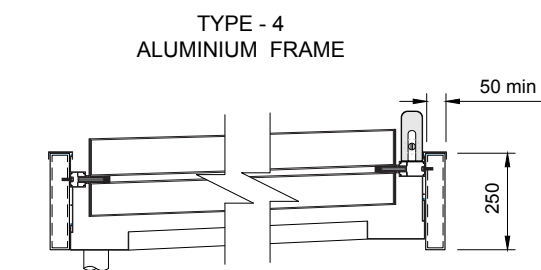
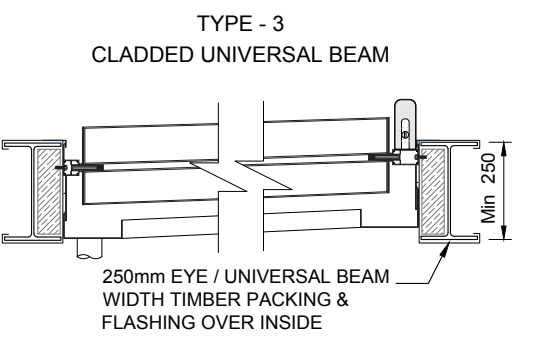
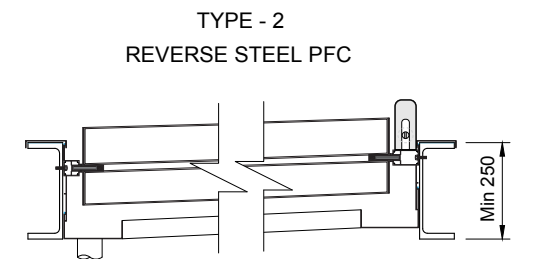
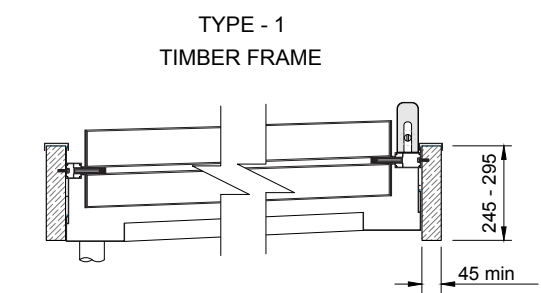
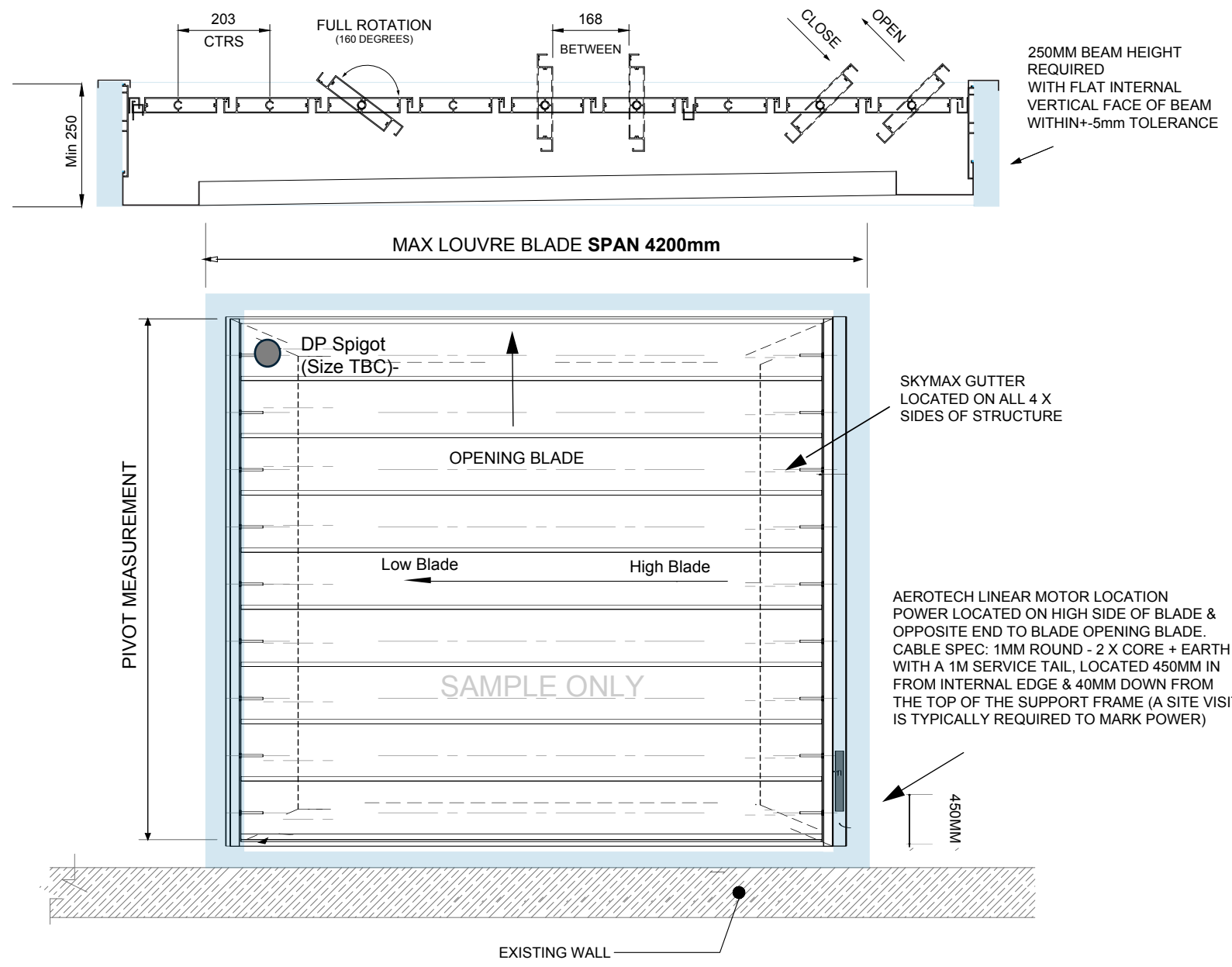


AEROTECH LINEAR 215 MODEL	
BLADE SPECIFICATIONS	
BLADE DESIGN	LINEAR
BLADE DIMENSIONS	215mm x 35mm x 3mm
BLADE MATERIAL	6016 EXTRUDED ALUMINIUM
BLADE FINISH	POWDER COATED
BLADE CENTRES	203mm
BLADE OPENING	168mm
GUTTER SPECIFICATIONS	
GUTTER DESIGN	SQUARE EDGE LOW-STREAMLINE
GUTTER DIMENSIONS	155mm x 40mm
GUTTER MATERIAL	6061 EXTRUDED ALUMINIUM
GUTTER FINISH	POWDER COATED
PIVOT SPECIFICATIONS	
PIVOT TRACK	40mm x 65mm x 2.5mm
PIVOT TRACK MATERIAL	6061 EXTRUDED ALUMINIUM
PIVOT TRACK FINISH	POWDER COATED
DRIVE ARM SPECIFICATIONS	
DRIVE-ARM	10mm x 40mm x 10mm
DRIVE-ARM MATERIAL	6061 EXTRUDED ALUMINIUM
DRIVE-ARM FINISH	POWDER COATED
PARTS AND CONNECTOR SPECIFICATIONS	
PIN SET	8mm DIA 316 MARINE GRADE STAINLESS STEEL
SPRING SET	316 MARINE GRADE STAINLESS STEEL
CONNECTOR HOUSING	100% UV STABLE HARDENED NYLON INNER
WEATHER STRIP	PVC STORM INSERTION STRIP
MOTOR & CONTROL SPECIFICATIONS	
MOTOR TYPE	GERMAN MADE LINEAR 240V ACTUATOR
CONTROLS	HARD WIRED OR REMOTE OPERATION
SENSORS	RAIN, WIND & SUN SENSORS

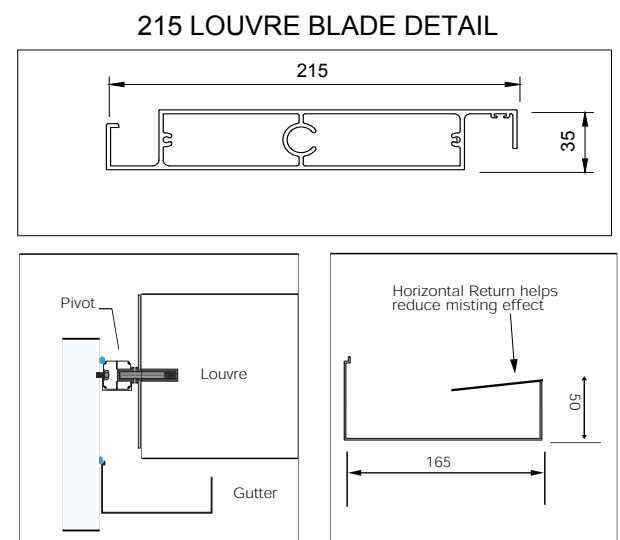
AEROTECH SERIES - LINEAR 215 MODEL - OPENING LOUVRED ROOF SYSTEM

LOUVRE BLADES PARALLEL TO BUILDING

SUPPORT FRAME - OPTIONS



PLEASE NOTE:
IF YOUR PROPOSAL INCLUDES THE CONSTRUCTION OF SUPPORT FRAME, OUR PROPRIETARY ALUMINIUM SUPPORT FRAME OR CUSTOM TIMBER SUPPORT FRAME ARE OUR TWO OPTIONS.
ALL MEASUREMENTS ABOVE INDICATE THE MINIMUM SECTION SIZE REQUIRED TO HOUSE THE AEROTECH SYSTEM.



OPTIONAL OVER FLASHING PROFILE ON SKYMAX STRUCTURES

DOWNPIPE SPIGOT IS INSTALLED BY SKYMAX
LOW SIDE OF BLADE IS RECOMMENDED BY SKYMAX.
(DOWNPIPE IS BY OTHERS). SKYMAX WILL NOT RECOMMEND HORIZONTAL SPIGOT DESIGN & ONLY VERTICAL DP SPIGOTS.

LEGEND:
THIS INDICATES SUPPORT FRAME BY CLIENT OR BY SKYMAX IF ALLOWED FOR. (SKYMAX FRAME IS AN OPTIONAL EXTRAL)

CLIENT DESIGN / MANUFACTURING APPROVAL:

APPROVED

AMEND

I: _____ SIGNATURE

215 MODEL - HIGHLIGHTS	
MAXIMUM LOUVRE SPAN:	4200MM
OPENING BETWEEN LOUVRES:	168MM
MINIMUM FRAME HEIGHT:	250MM
LOUVRE DIMENSION:	215MM X 35MM X 3MM

SKYMAX
OPENING ROOF SYSTEMS

Skymax Australia Pty. Ltd.
SYDNEY OFFICE:
3 Tilley Lane, Frenchs Forest
NSW 2086 Australia
Tel 1300 929 743
Email: projects@skymax.com.au
Web: skymax.com.au

CLIENT:	BLADES PARALLEL TO BUILDING	DATE:	20/01/2022	JOB No:	SAMPLE ONLY
TITLE:	AEROTECH 215 MODEL OPENING LOUVRED ROOF	SCALE:	NOT TO SCALE	DRAWING No:	215-PL
CHECKED:	DC & MT	ISSUE/REVISION:	B		

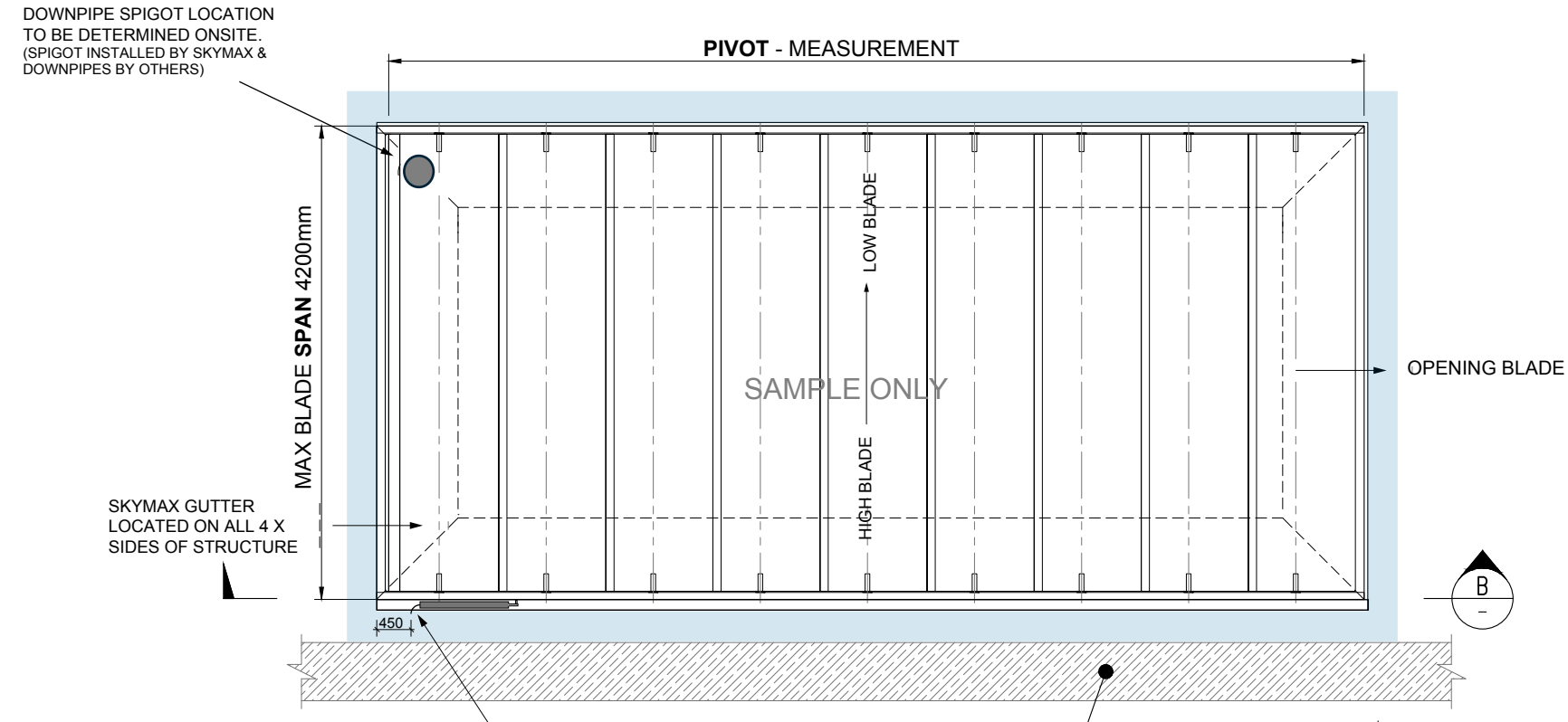
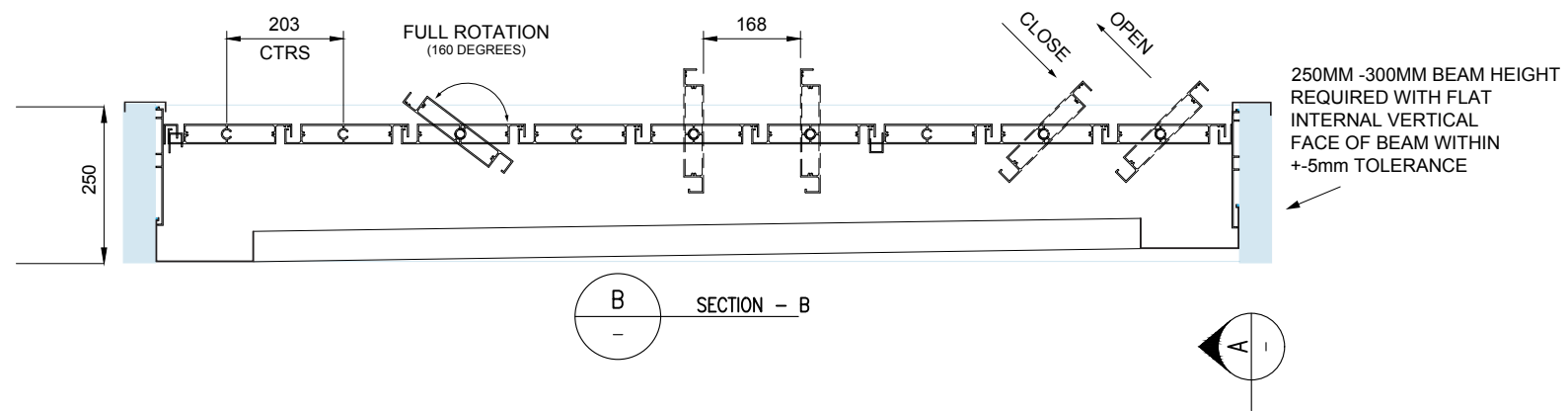
ALL DRAWINGS AND TECHNICAL INFORMATION CONTAINED ON THIS PAGE REMAIN THE SOLE PROPERTY OF SKYMAX SERVICES Pty. Ltd. NO INFORMATION CONTAINED ON THIS PAGE IS TO BE REPRODUCED IN PART / IN FULL WITHOUT THE PRIOR CONSENT OF SKYMAX Pty Ltd. SERVICES WRITTEN DIMENSION TO TAKE OVER SCALING. ALL DIMENSION ARE TO BE CONFIRMED ON SITE PRIOR TO FABRICATION / INSTALLATION

AEROTECH LINEAR 215 MODEL	
BLADE SPECIFICATIONS	
BLADE DESIGN	LINEAR
BLADE DIMENSIONS	215mm x 35mm x 3mm
BLADE MATERIAL	6016 EXTRUDED ALUMINIUM
BLADE FINISH	POWDER COATED
BLADE CENTRES	203mm
BLADE OPENING	168mm
GUTTER SPECIFICATIONS	
GUTTER DESIGN	SQUARE EDGE LOW-STREAMLINE
GUTTER DIMENSIONS	155mm x 40mm
GUTTER MATERIAL	6061 EXTRUDED ALUMINIUM
GUTTER FINISH	POWDER COATED
PIVOT SPECIFICATIONS	
PIVOT TRACK	40mm x 65mm x 2.5mm
PIVOT TRACK MATERIAL	6061 EXTRUDED ALUMINIUM
PIVOT TRACK FINISH	POWDER COATED
DRIVE ARM SPECIFICATIONS	
DRIVE-ARM	10mm x 40mm x 10mm
DRIVE-ARM MATERIAL	6061 EXTRUDED ALUMINIUM
DRIVE-ARM FINISH	POWDER COATED
PARTS AND CONNECTOR SPECIFICATIONS	
PIN SET	8mm DIA 316 MARINE GRADE STAINLESS STEEL
SPRING SET	316 MARINE GRADE STAINLESS STEEL
CONNECTOR HOUSING	100% UV STABLE HARDENED NYLON INNER
WEATHER STRIP	PVC STORM INSERTION STRIP
MOTOR & CONTROL SPECIFICATIONS	
MOTOR TYPE	GERMAN MADE LINEAR 240V ACTUATOR
CONTROLS	HARD WIRED OR REMOTE OPERATION
SENSORS	RAIN, WIND & SUN SENSORS

AEROTECH SERIES - LINEAR 215 MODEL - OPENING LOUVRED ROOF SYSTEM

BLADES PERPENDICULAR WITH BUILDING

SUPPORT FRAME - OPTIONS

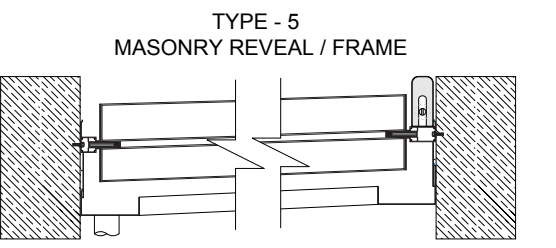
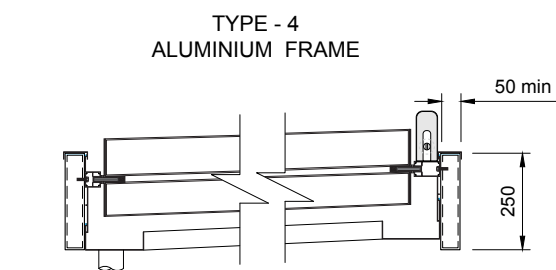
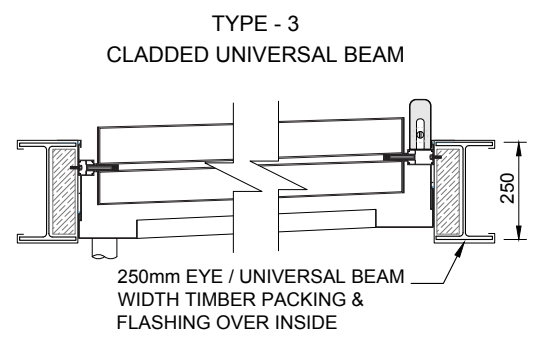
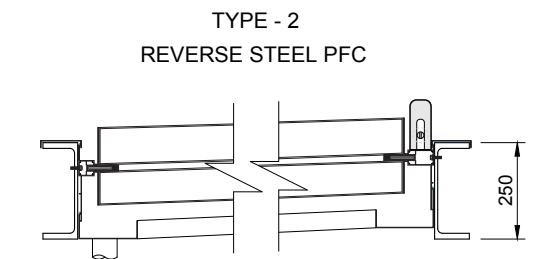
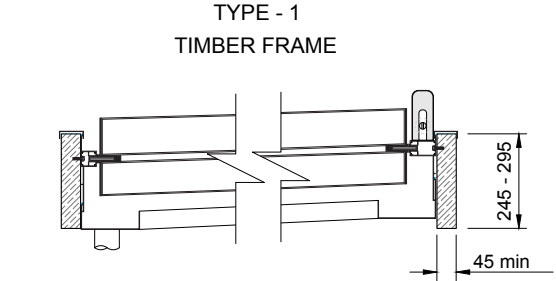


POWER LOCATED ON HIGH SIDE OF BLADE & OPPOSITE END TO BLADE OPENING BLADE. CABLE SPEC: 1MM ROUND - 2 X CORE + EARTH WITH A 1M SERVICE TAIL, LOCATED 450MM IN FROM INTERNAL EDGE & 40MM DOWN FROM THE TOP OF THE SUPPORT FRAME (A SITE VISIT IS TYPICALLY REQUIRED TO MARK POWER)

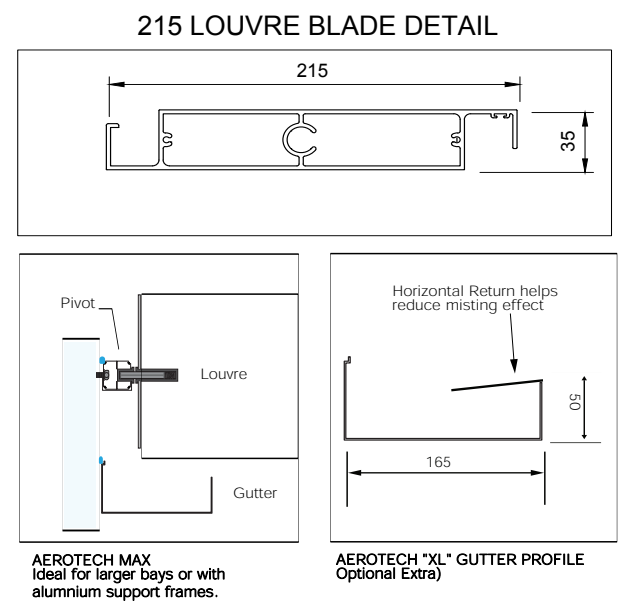
240V ACTUATOR (LOCATED AT HIGH SIDE OF LOUVRE BLADE)
120mm CLEARANCE REQUIRED ABOVE FRAME

OPTIONAL OVER FLASHING PROFILE ON SKYMAX STRUCTURES

DOWNPIPE SPIGOT IS INSTALLED BY SKYMAX LOCATING SPIGOT ON LOW SIDE OF BLADE IS RECOMMENDED BY SKYMAX. (DOWNPIPE BY OTHERS). SKYMAX WILL NOT RECOMMEND HORIZONTAL SPIGOT DESIGN & ONLY VERTICAL DP SPIGOTS.



PLEASE NOTE:
IF YOUR PROPOSAL INCLUDES THE CONSTRUCTION OF SUPPORT FRAME, OUR PROPRIETARY ALUMINIUM SUPPORT FRAME OR CUSTOM TIMBER SUPPORT FRAME ARE OUR TWO OPTIONS.
ALL MEASUREMENTS ABOVE INDICATE THE MINIMUM SECTION SIZE REQUIRED TO HOUSE THE AEROTECH SYSTEM.



LEGEND:
THIS INDICATES SUPPORT FRAME BY CLIENT OR BY SKYMAX. (SKYMAX FRAME IS OPTIONAL)

CLIENT DESIGN / MANUFACTURING APPROVAL:

I: _____ APPROVED _____

PRINT NAME SIGNATURE

AMEND _____

215 MODEL - HIGHLIGHTS	
MAXIMUM LOUVRE SPAN:	4200MM
OPENING BETWEEN LOUVRES:	168MM
MINIMUM FRAME HEIGHT:	250MM
LOUVRE DIMENSION:	215MM X 35MM X 3MM



Skymax Australia Pty. Ltd.
SYDNEY OFFICE:
3 Tilley Lane, Frenchs Forest
NSW 2086 Australia
Tel 1300 929 743
Email: projects@skymax.com.au
Web: skymax.com.au

CLIENT: SPECIFICATIONS BLADES PERPENDICULAR WITH BUILDING	DATE: 20/01/2022	JOB No: SAMPLE ONLY
TITLE: AEROTECH SERIES - LINEAR 215 OPENING LOUVRED ROOF	SCALE: NOT TO SCALE	DRAWING No: 215-P
CHECKED: DC & MT	DRAWN: SKYMAX	ISSUE/REVISION: B

ALL DRAWINGS AND TECHNICAL INFORMATION CONTAINED ON THIS PAGE REMAIN THE SOLE PROPERTY OF SKYMAX SERVICES Pty. Ltd. NO INFORMATION CONTAINED ON THIS PAGE IS TO BE REPRODUCED IN PART / IN FULL WITHOUT THE PRIOR CONSENT OF SKYMAX Pty Ltd. SERVICES WRITTEN DIMENSION TO TAKE OVER SCALING. ALL DIMENSION ARE TO BE CONFIRMED ON SITE PRIOR TO FABRICATION / INSTALLATION