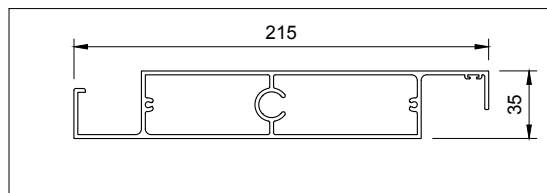
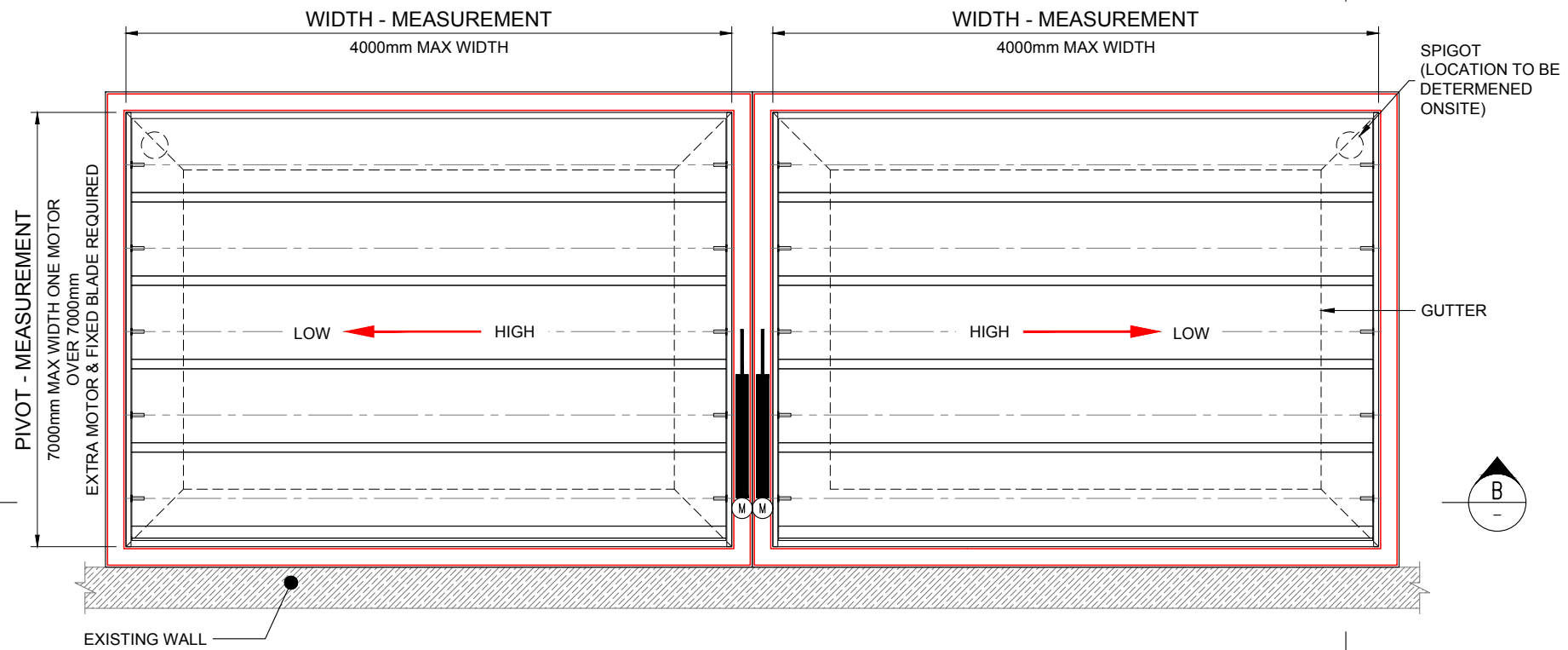
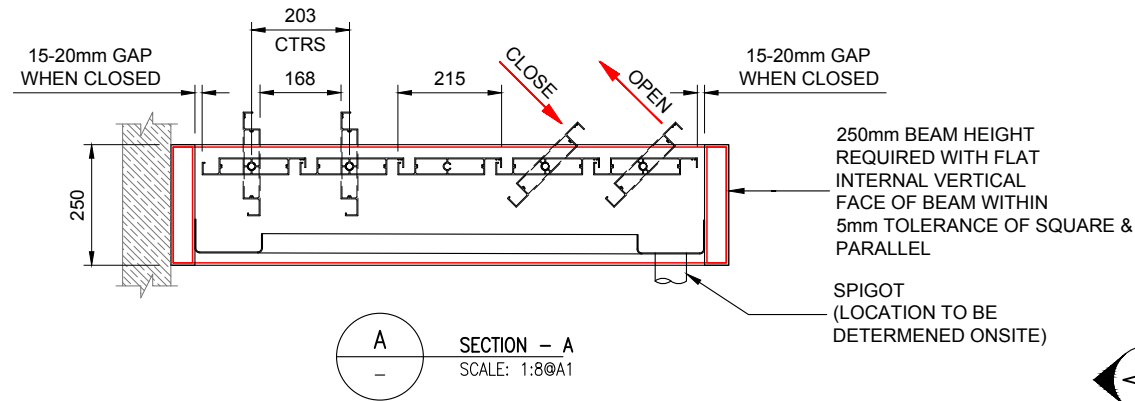


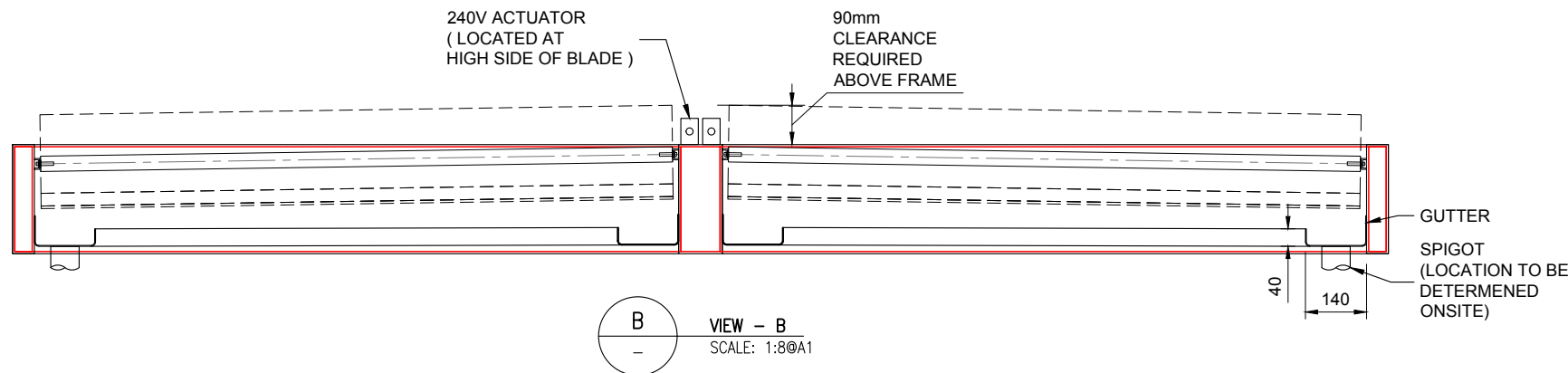
AEROTECH LINEAR 215 MODEL	
<b>BLADE SPECIFICATIONS</b>	
BLADE DESIGN	LINEAR
BLADE DIMENSIONS	215mm x 35mm x 3mm
BLADE MATERIAL	6016 EXTRUDED ALUMINIUM
BLADE FINISH	POWDER COATED OR ANODISED
BLADE CENTRES	203mm
BLADE OPENING	168mm
<b>GUTTER SPECIFICATIONS</b>	
GUTTER DESIGN	SQUARE EDGE LOW-STREAMLINE
GUTTER DIMENSIONS	140mm x 40mm x 2mm
GUTTER MATERIAL	6061 EXTRUDED ALUMINIUM
GUTTER FINISH	POWDER COATED OR ANODISED
<b>PIVOT SPECIFICATIONS</b>	
PIVOT TRACK	12mm x 25mm x 3mm
PIVOT TRACK MATERIAL	6061 EXTRUDED ALUMINIUM
PIVOT TRACK FINISH	POWDER COATED OR ANODISED
<b>DRIVE ANGLE SPECIFICATIONS</b>	
DRIVE ANGLE	25mm x 25mm x 3mm
DRIVE ANGLE MATERIAL	6061 EXTRUDED ALUMINIUM
DRIVE ANGLE FINISH	POWDER COATED OR ANODISED
<b>PARTS AND CONNECTOR SPECIFICATIONS</b>	
PIN SET	8mm DIA 316 MARINE GRADE STAINLESS STEEL
SPRING SET	316 MARINE GRADE STAINLESS STEEL
CONNECTOR HOUSING	100% UV STABLE HARDENED NYLON INNER
WEATHER STRIP	PVC STORM INSERTION STRIP
<b>MOTOR &amp; CONTROL SPECIFICATIONS</b>	
MOTOR TYPE	GERMAN MADE LINEAR 240V ACTUATOR
CONTROLS	HARD WIRED OR REMOTE OPERATION
SENSORS	RAIN, WIND & SUN SENSORS

**AEROTECH LINEAR 215 - OPENING LOUVRED ROOF SPECIFICATION  
(DOUBLE BAY) BLADES INSTALLED PARALLEL WITH BUILDING**

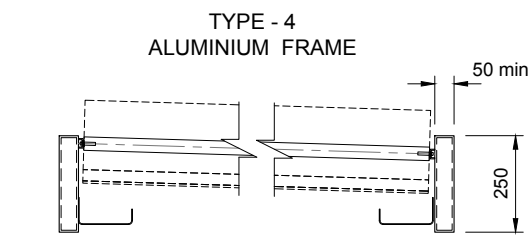
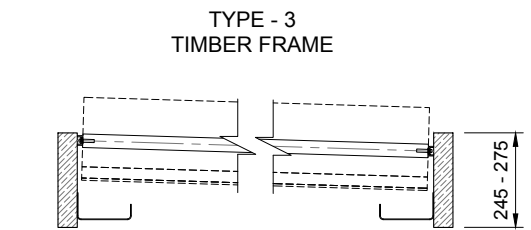
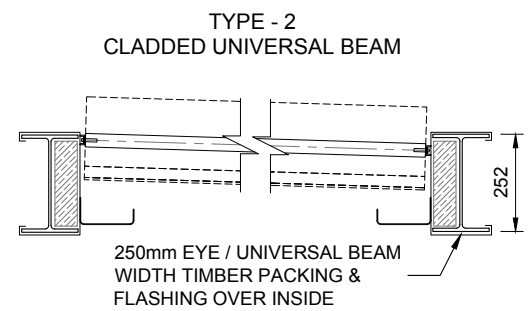
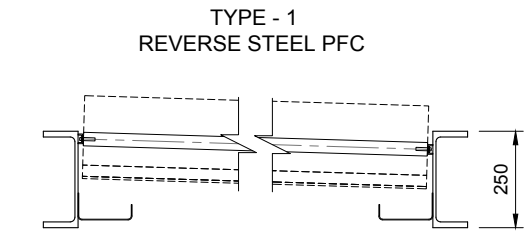


**215 LOUVRE BLADE DETAIL**  
SCALE 1:2 @A1

LEGEND:  
THIS INDICATES SUPPORT FRAME (BY OTHERS)



**SUPPORT FRAME DESIGN OPTIONS  
(AEROTECH SYSTEM EXCLUDES SUPPORT FRAME)**



PLEASE NOTE:  
SKYMAX CAN CONSTRUCT  
TYPE 4 FRAME, AS OPTIONAL

0 100 200 300 400mm  
SCALE 1:8 @A1

CLIENT DESIGN / MANUFACTURING APPROVAL:

APPROVED  
AMEND

REV	DATE	ISSUED FOR APPROVAL	DRN	APPR
A	11.05.16	ISSUED FOR APPROVAL	J.P	D.C



**Skymax Australia Pty. Ltd.**  
SYDNEY OFFICE:  
2/410 Pittwater Rd  
North Manly, NSW 2100 Australia  
Mob +61 4418 844 491  
T +61 2 8041 6258  
Web: skymax.com.au

CLIENT: SPECIFICATIONS  
BLADES PARALLEL WITH  
BUILDING, DOUBLE BAY  
TITLE: AEROTECH LINEAR 215  
OPENING LOUVRED ROOF

DATE: 11/05/2016  
SCALE: 1:8 @A1  
DRAWN: J.P  
CHECKED: D.CRABB

JOB No: -  
DRAWING No: SPEC - 07  
ISSUE/REVISION: A